

NOTES:

1. MATERIAL:
 - 1.1 HOUSING: THERMOPLASTIC, HIGH TEMP., UL94V-0; COLOR:BLACK.
 - 1.2 ACTUATOR: THERMOPLASTIC, HIGH TEMP., UL94V-0; COLOR:BLACK OR WHITE.
 - 1.3 CONTACT: COPPER ALLOY
 - 1.4 FITTING NAIL:COPPER ALLOY
2. FINISH:
 - 2.1 CONTACT:
 - 1: 50u" NICKEL UNDER PLATING OVERALL GOLD FLASH
 - N: 50u" MIN. NICKEL UNDER PLATING 50u" MIN. MATT TIN PLATING
 - 2.2 FITTING NAIL:
 - N: 50u" MIN NICKEL UNDER PLATING OVERALL 50u" MIN MATT TIN PLATING ON SOLDER TAILS
3. REFLOW SOLDER CAPABLE TO 260°C PER ACES SPEC.
4. SPEC. PLS. REFER TO SPEC-51619-XXXX-XXX
5. PACKAGE PLS. REFER TO P/N
6. PART NUMBER

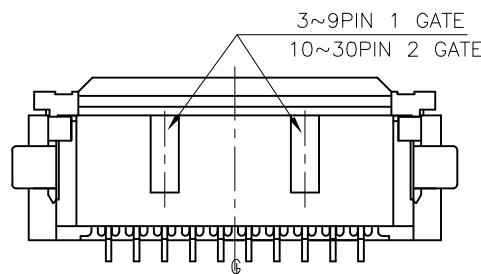
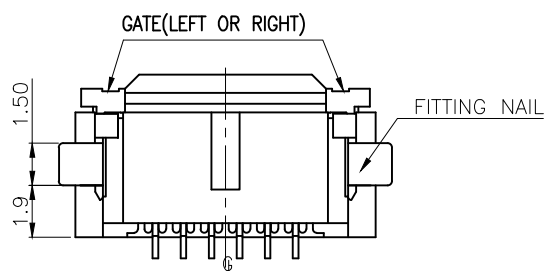
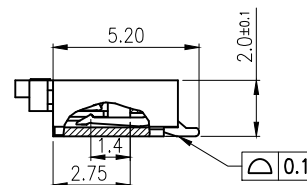
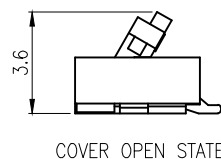
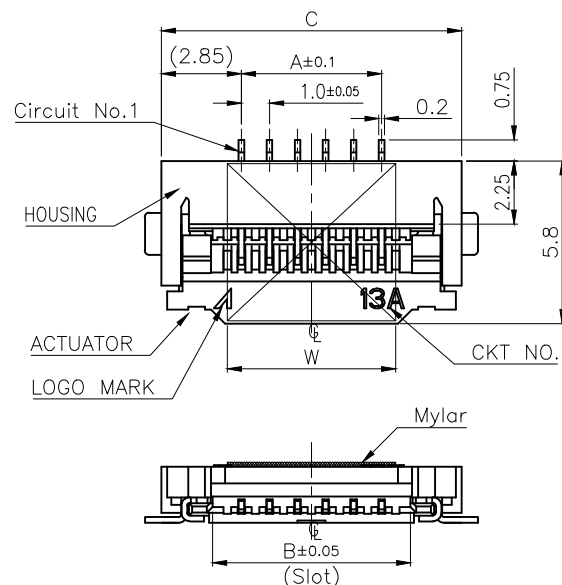
51654-XXX X X-XXX

XXX	HOUSING COLOR	ACTUATOR COLOR	PACKING
001	BLACK	WHITE	50504-XXXX-TRP

NO OF CKT

PACKING
0: TAPE & REEL
4: TAPE & REEL WITH MYLAR

PLATING
1: GOLD FLASH
N: MATT TIN



CKT	Dim A	Dim B	Dim C	M/s(W)	CKT	Dim A	Dim B	Dim C	M/s(W)
4	3.00	5.06	8.7	6.0	18	17.00	19.06	22.7	10.0
6	5.00	7.06	10.7		20	19.00	21.06	24.7	
8	7.00	9.06	12.7		22	21.00	23.06	26.7	
10	9.00	11.06	14.7		24	23.00	25.06	28.7	
12	11.00	13.06	16.7	15.0	26	25.00	27.06	30.7	
14	13.00	15.06	18.7		28	27.00	29.06	32.7	
16	15.00	17.06	20.7		30	29.00	31.06	34.7	

QUALITY SYMBOLS MAJOR Ⓜ CRITICAL Ⓢ GENERAL TOLERANCES (UNLESS SPECIFIED) X ±0.5 .X ±0.25 .XX ±0.15 .XXX ±0.1 ANGLES ±2°	DRAWN BY Huang, Shun Sen DATE 18/09/28		TITLE 1.0mm FPC EASY ON CONN. SMT R/A TYPE
	CHECKED BY Lu, Jing Quan DATE 18/09/28		APPROVED BY hsieh, fu yu DATE 18/09/28
	UNITS mm		REV B PART NO. SEE NOTES
	SCALE 4:1	SHEET NO. 1 OF 1	